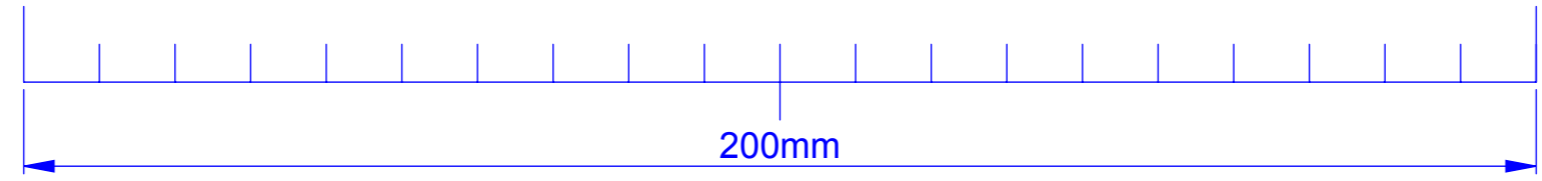
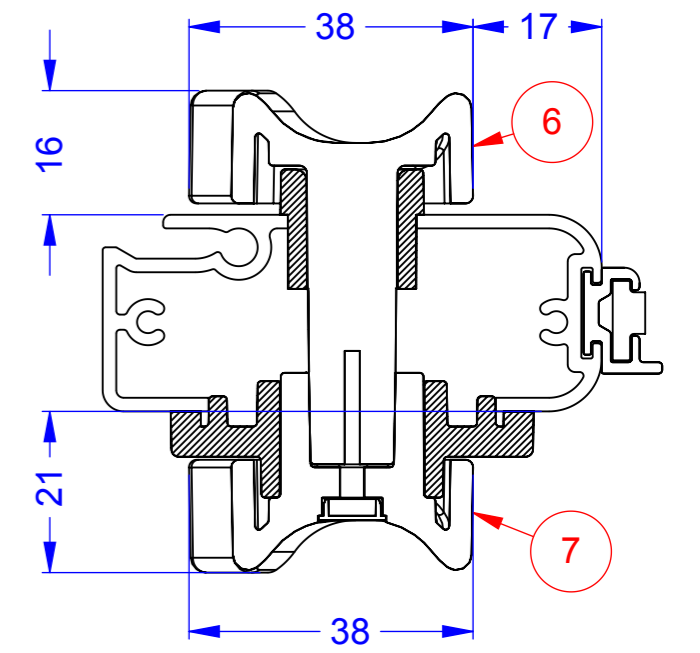
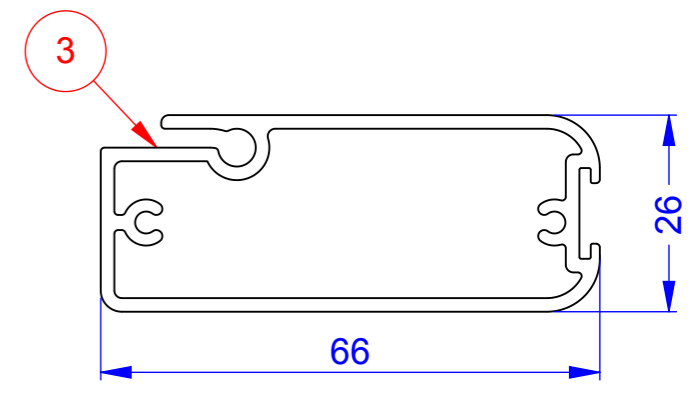
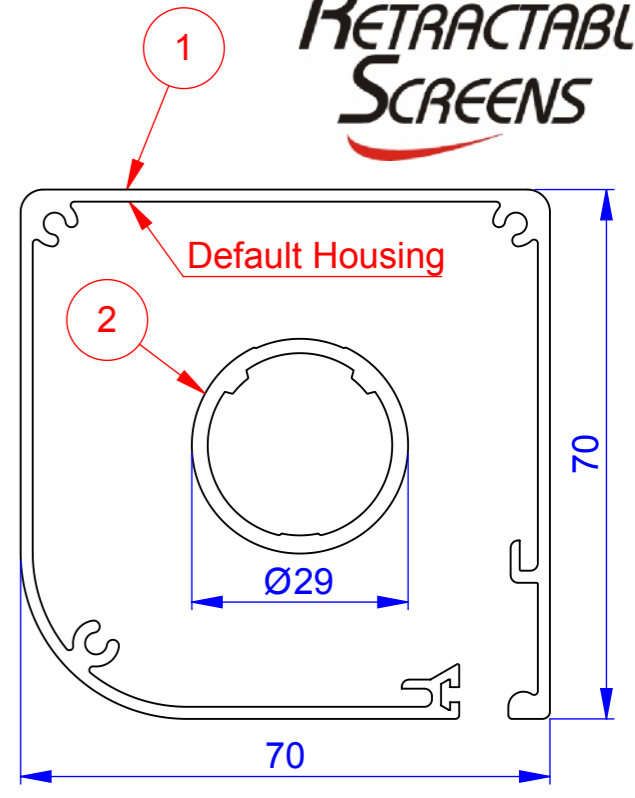
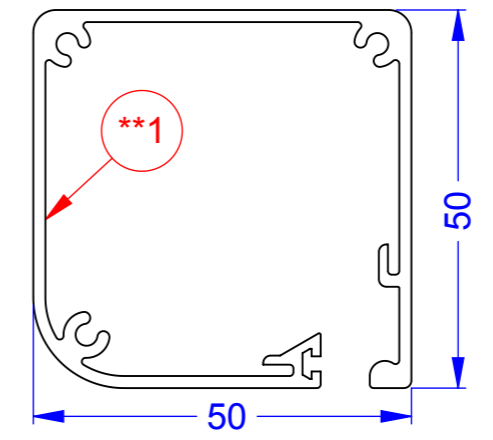
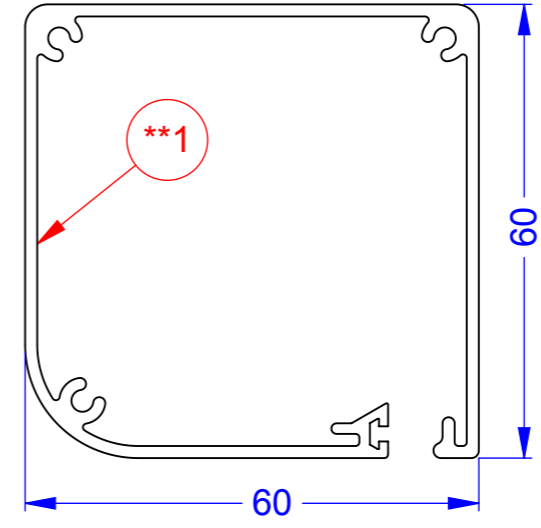
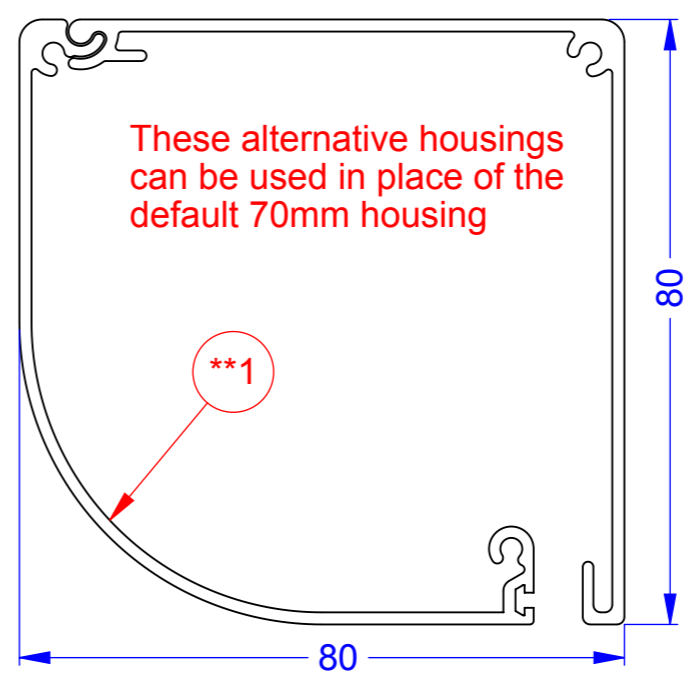
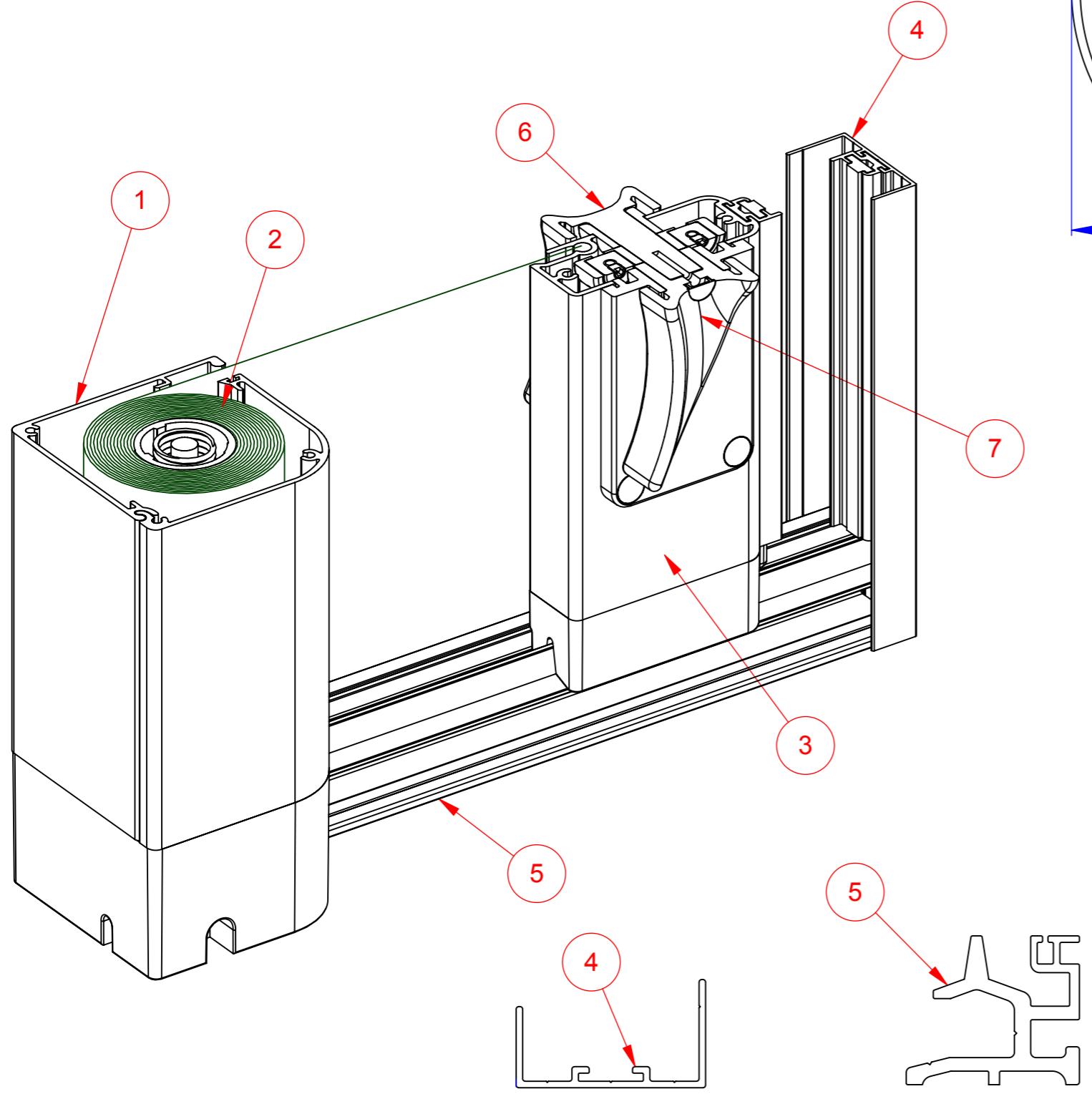
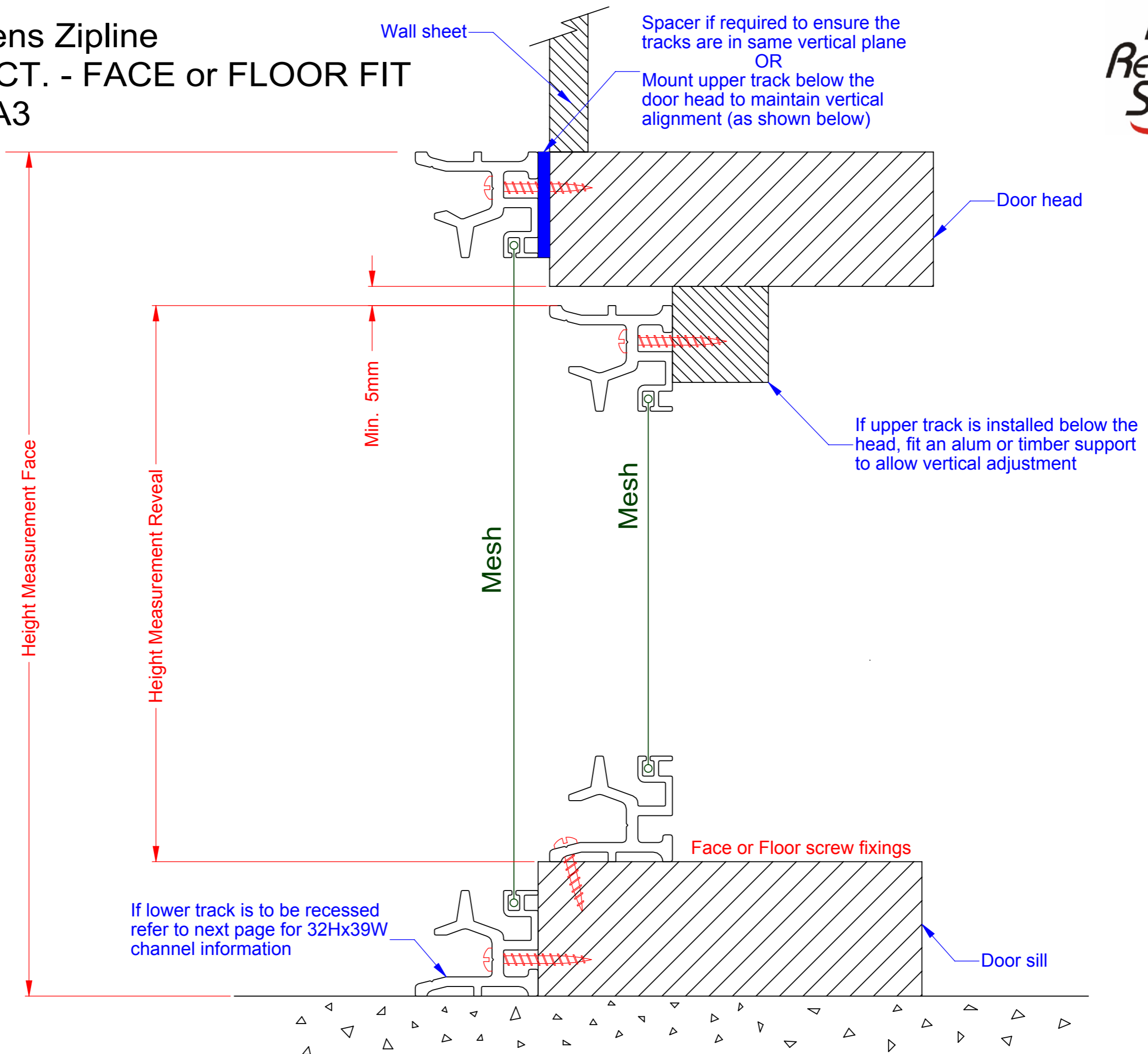


Freedom Screens Zipline
 COMPONENT DIMS - GENERAL
 SCALE 1:1 at A3
 Revision-008

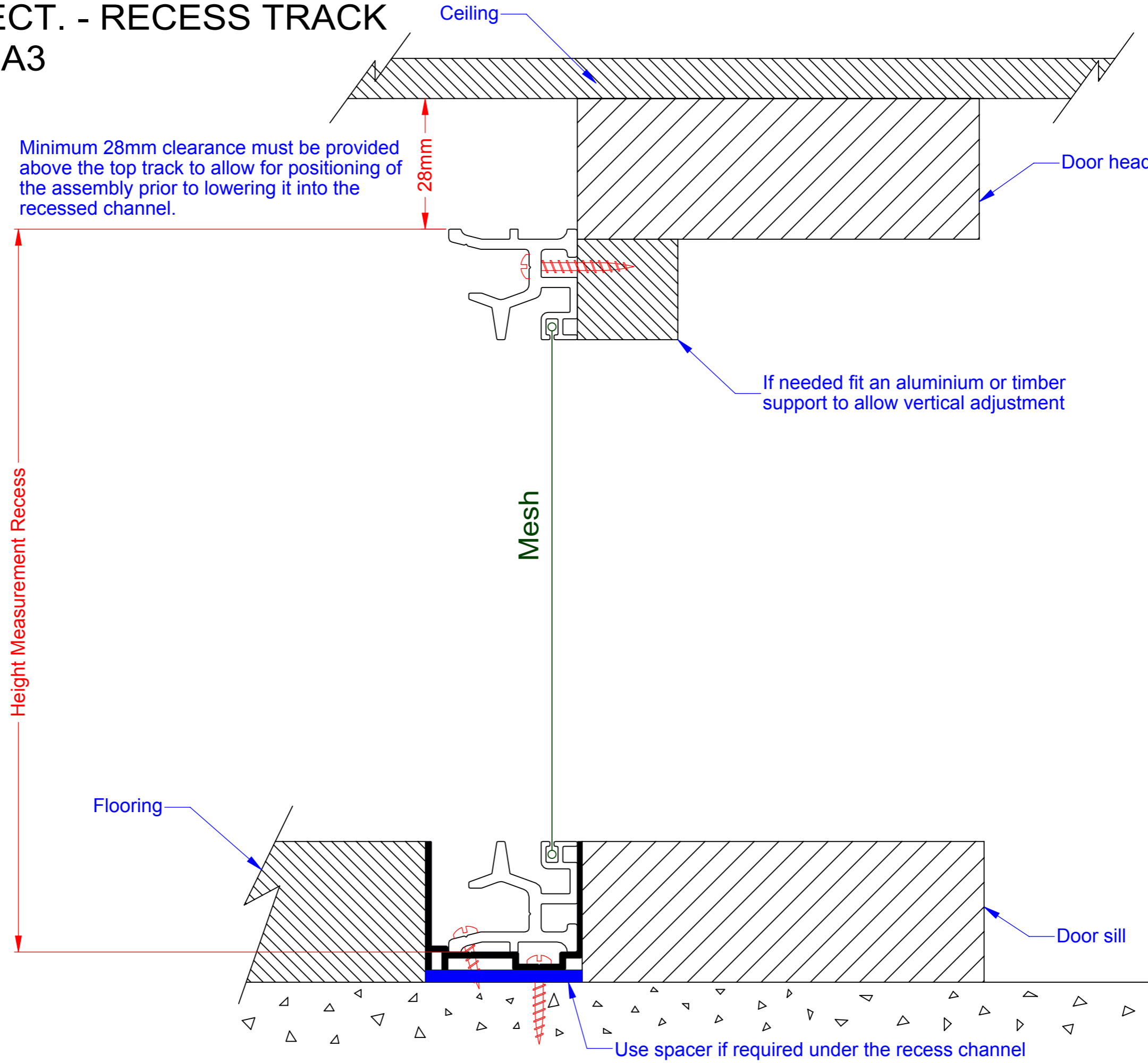


SCALE 2:3

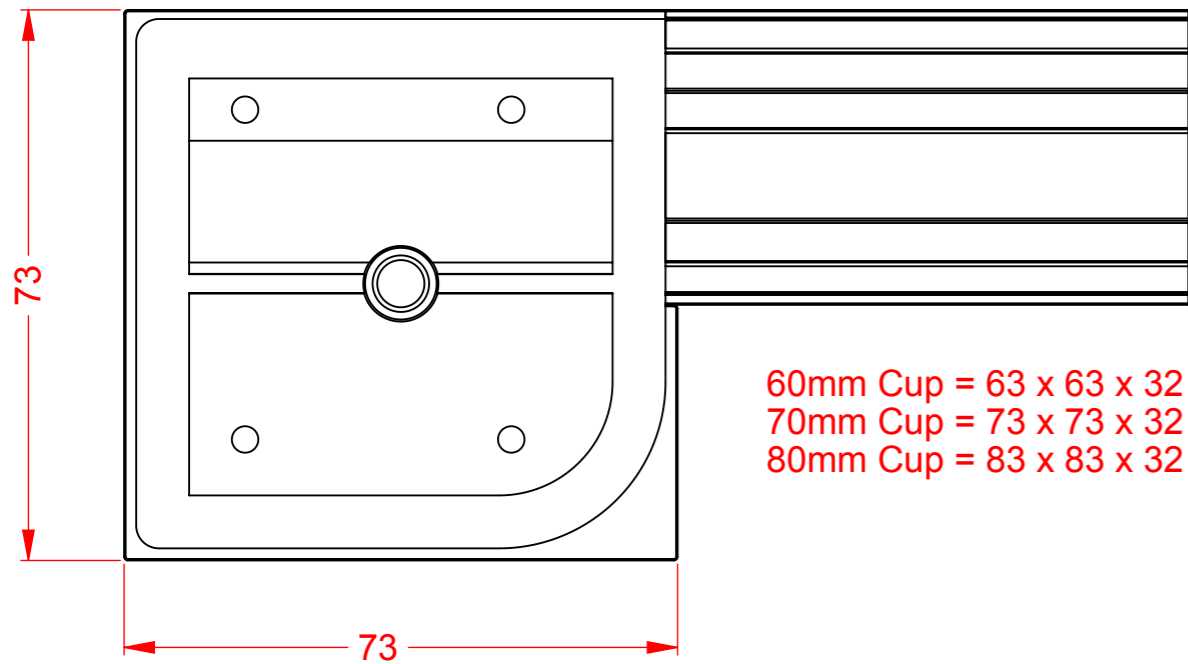
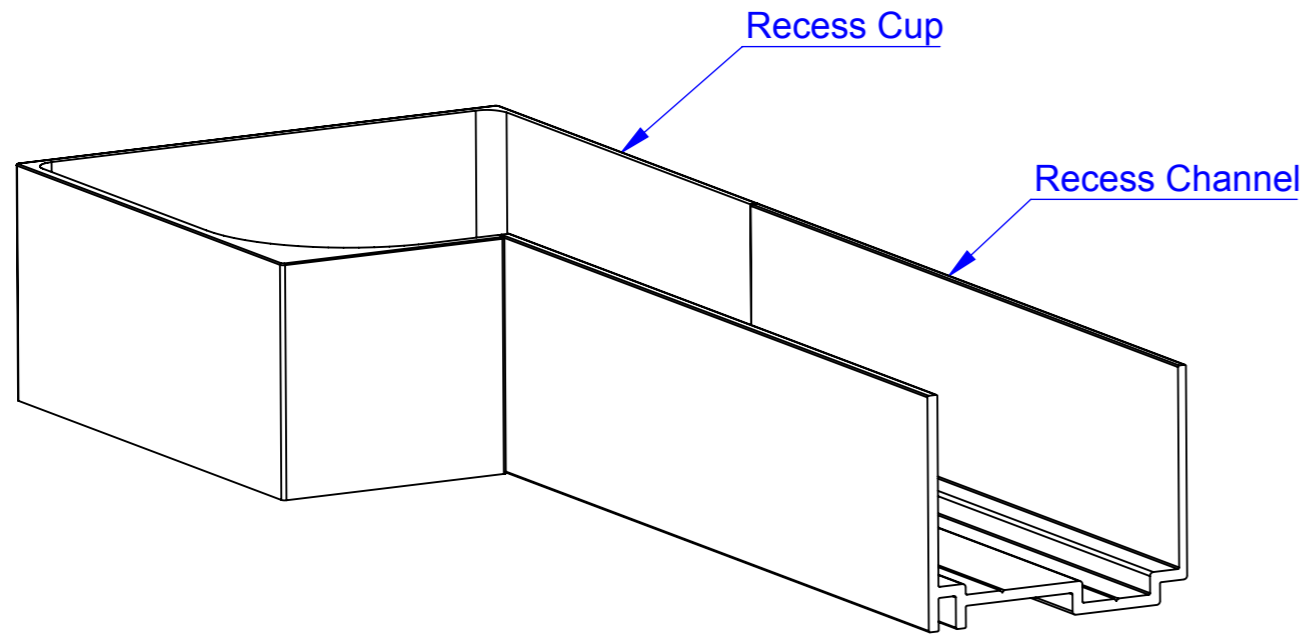
Freedom Screens Zipline
VERTICAL SECT. - FACE or FLOOR FIT
SCALE 1:1 at A3
Revision-008



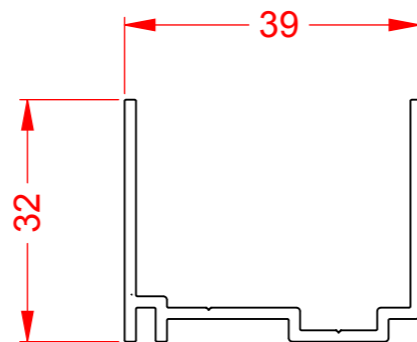
Freedom Screens Zipline
VERTICAL SECT. - RECESS TRACK
SCALE 1:1 at A3
Revision-008



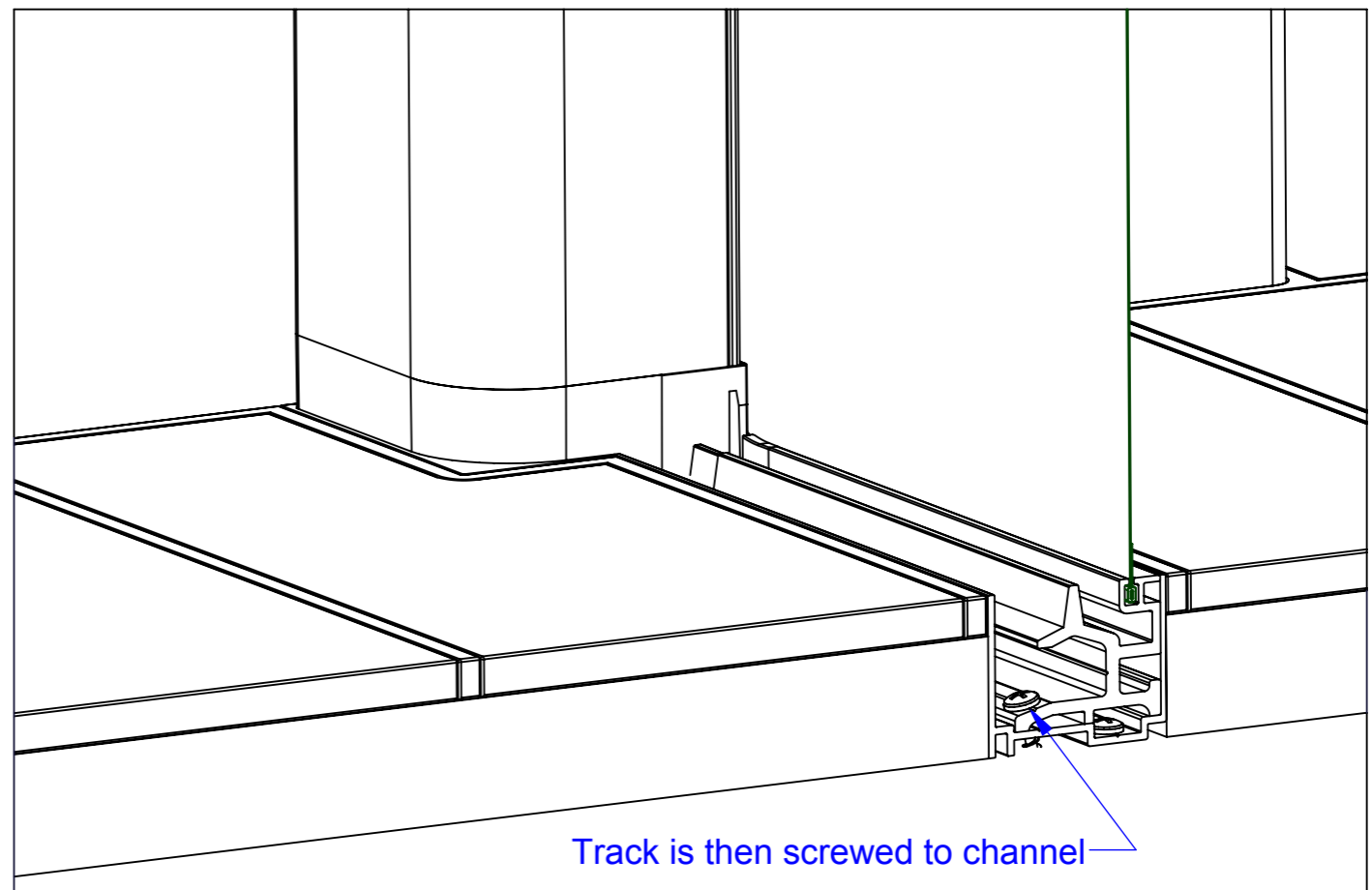
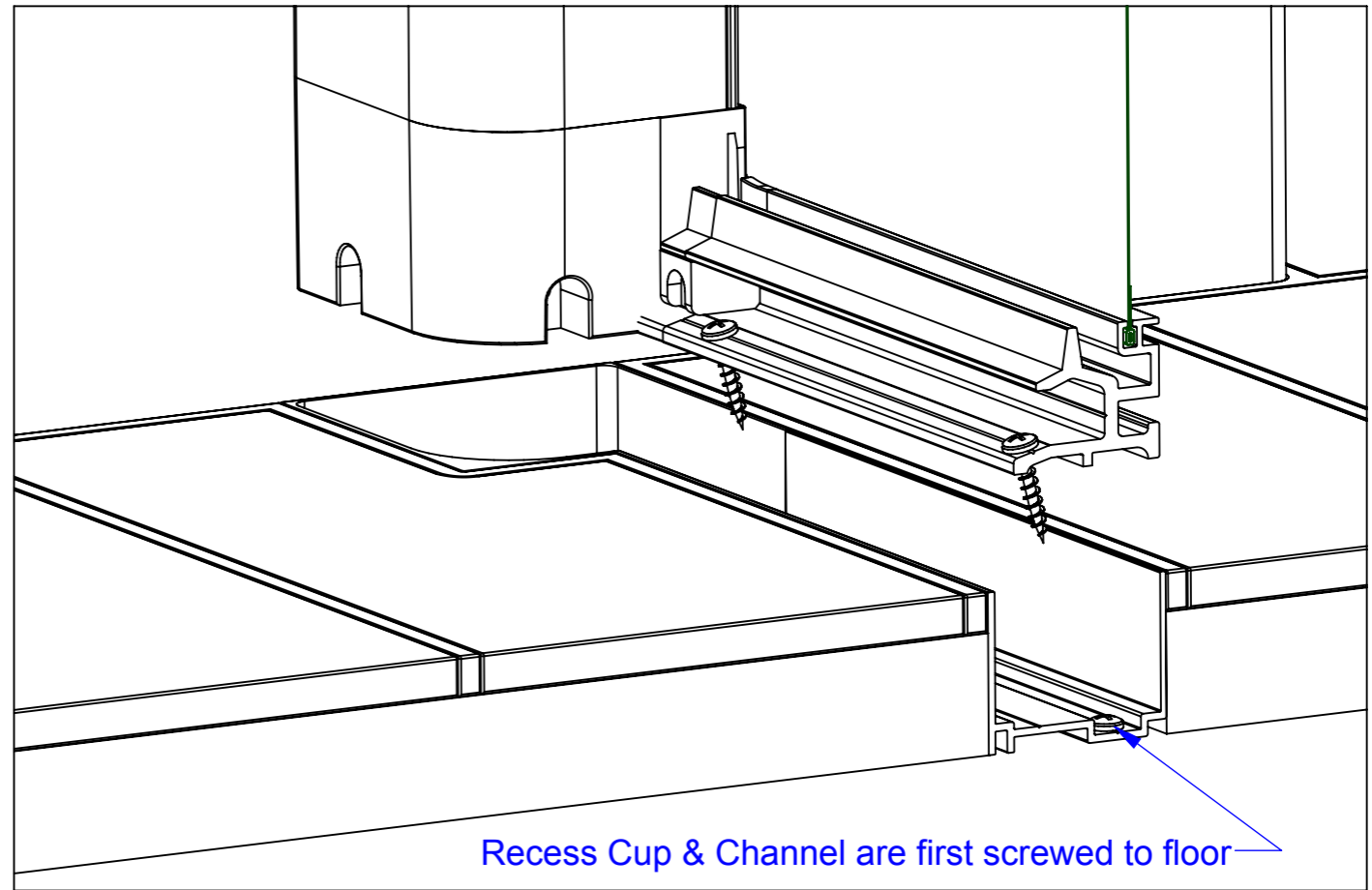
Freedom Screens Zipline
 DETAIL - RECESS TRACK
 SCALE 1:1 at A3
 Revision-008



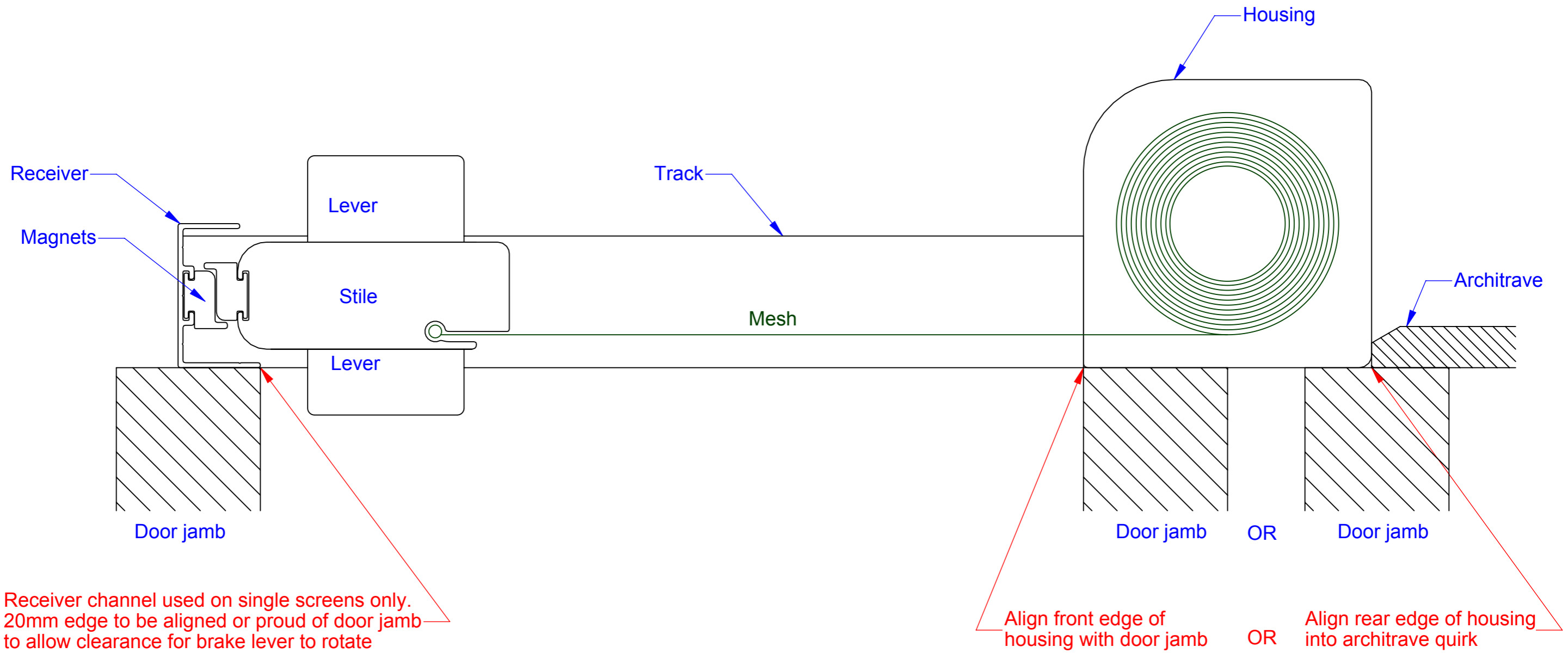
60mm Cup = 63 x 63 x 32
 70mm Cup = 73 x 73 x 32
 80mm Cup = 83 x 83 x 32



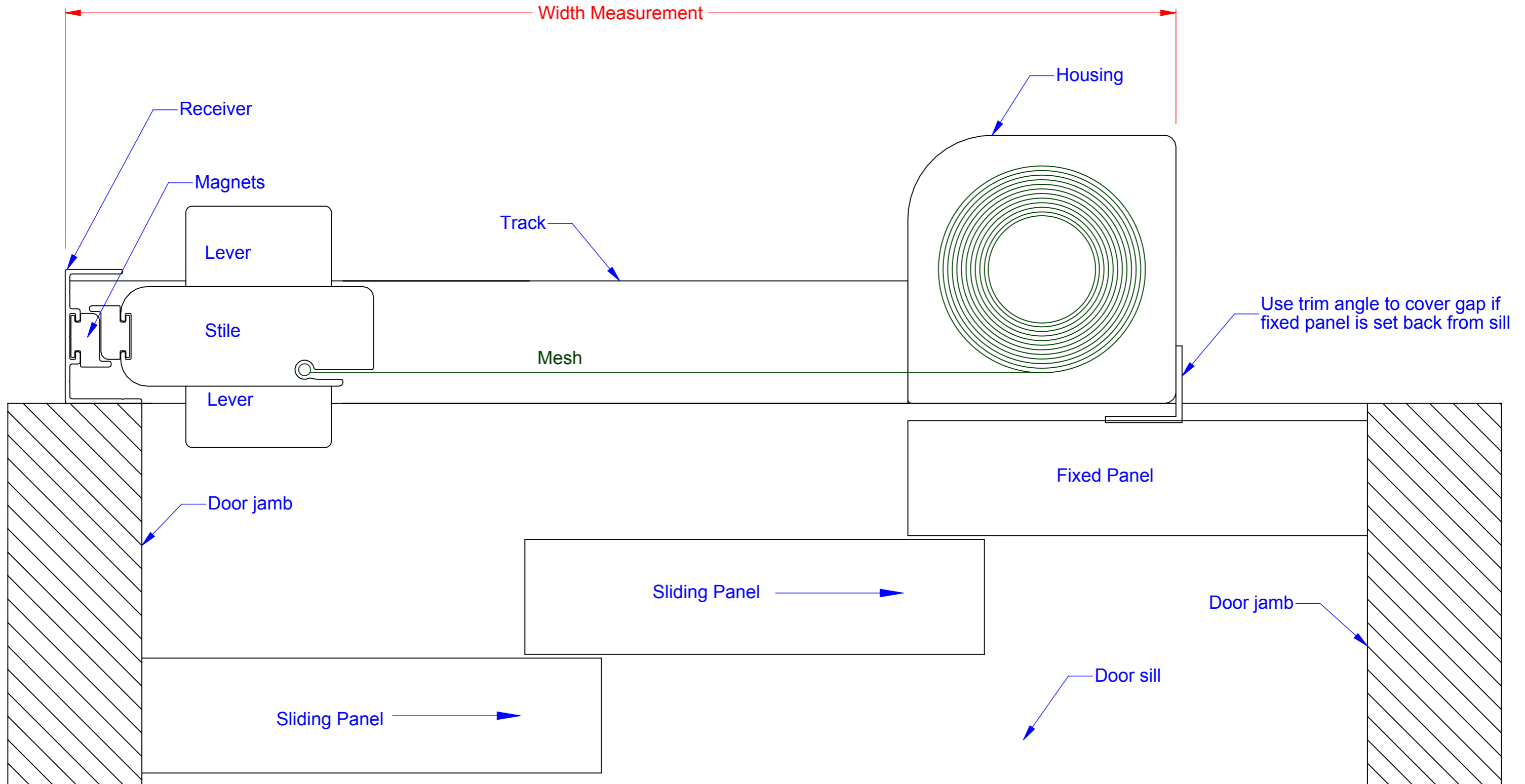
Recess channel & cup assembly may be fitted first to allow flooring to be completed. The screen unit may then be fitted at a later stage near project completion.



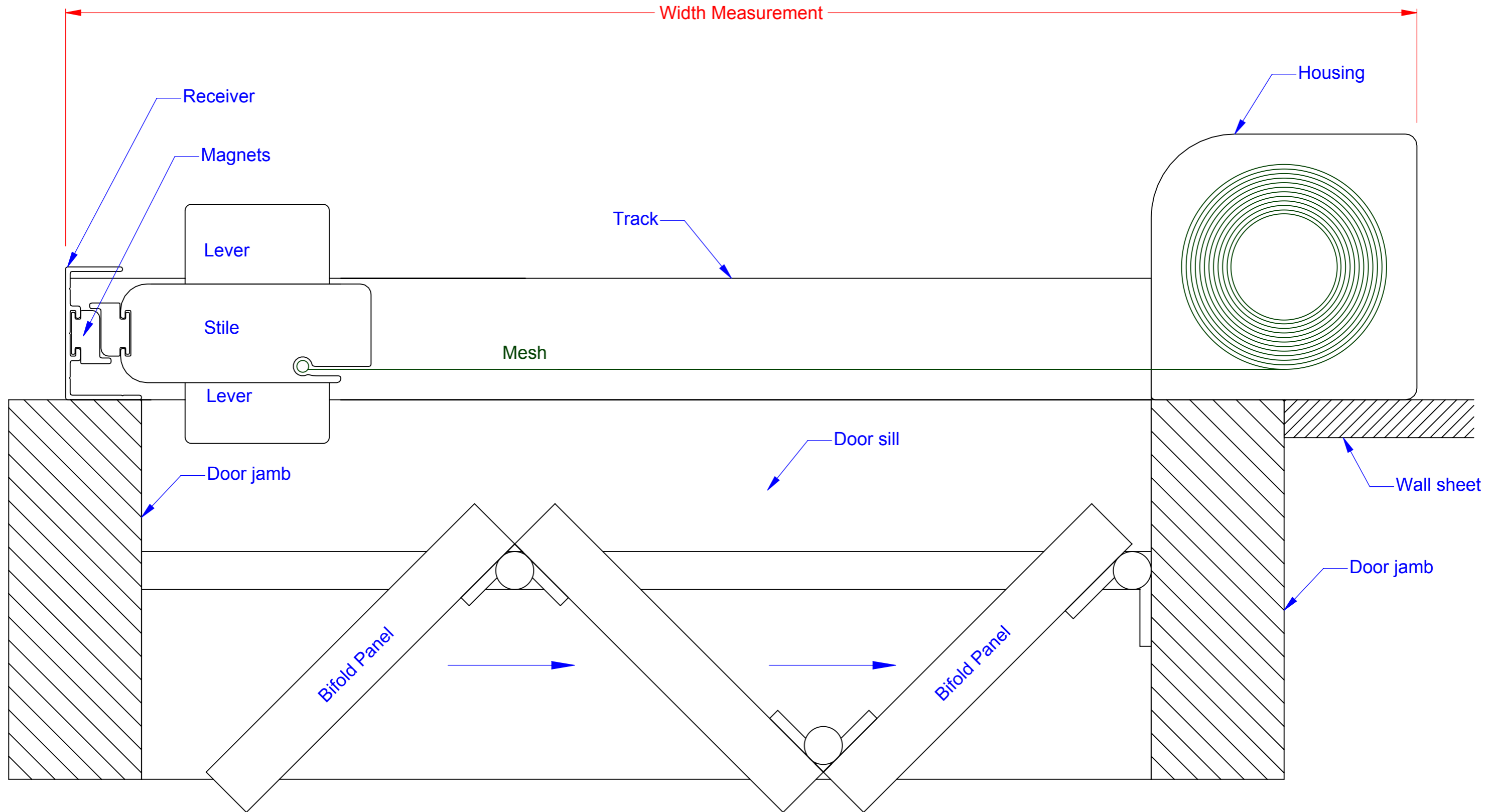
Freedom Screens Zipline
 PLAN VIEW - GENERAL
 SCALE 1:1 at A3
 Revision-008



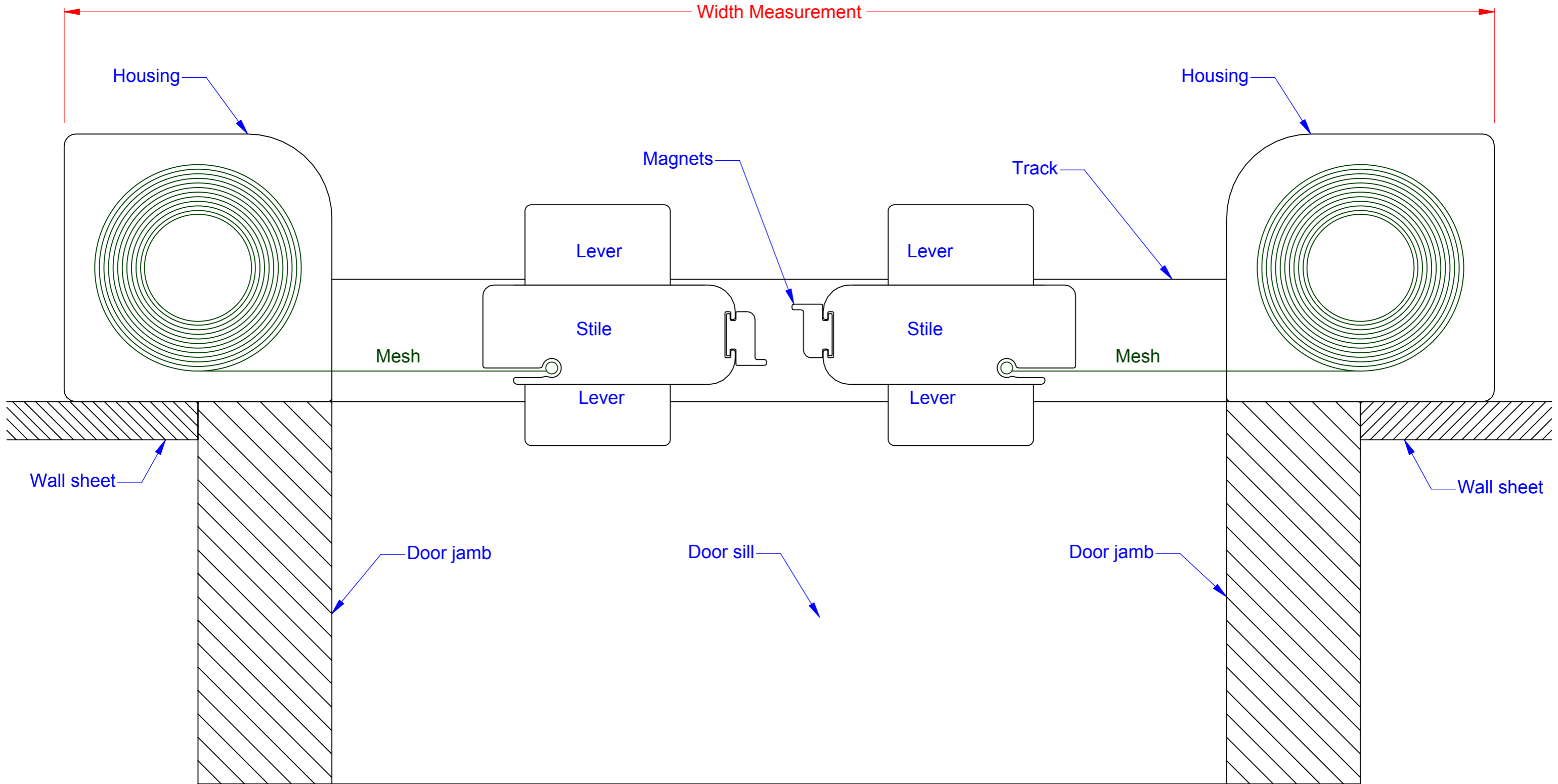
Freedom Screens Zipline
PLAN VIEW - STACKER DOORS
SCALE 1:1 at A3
Revision-008



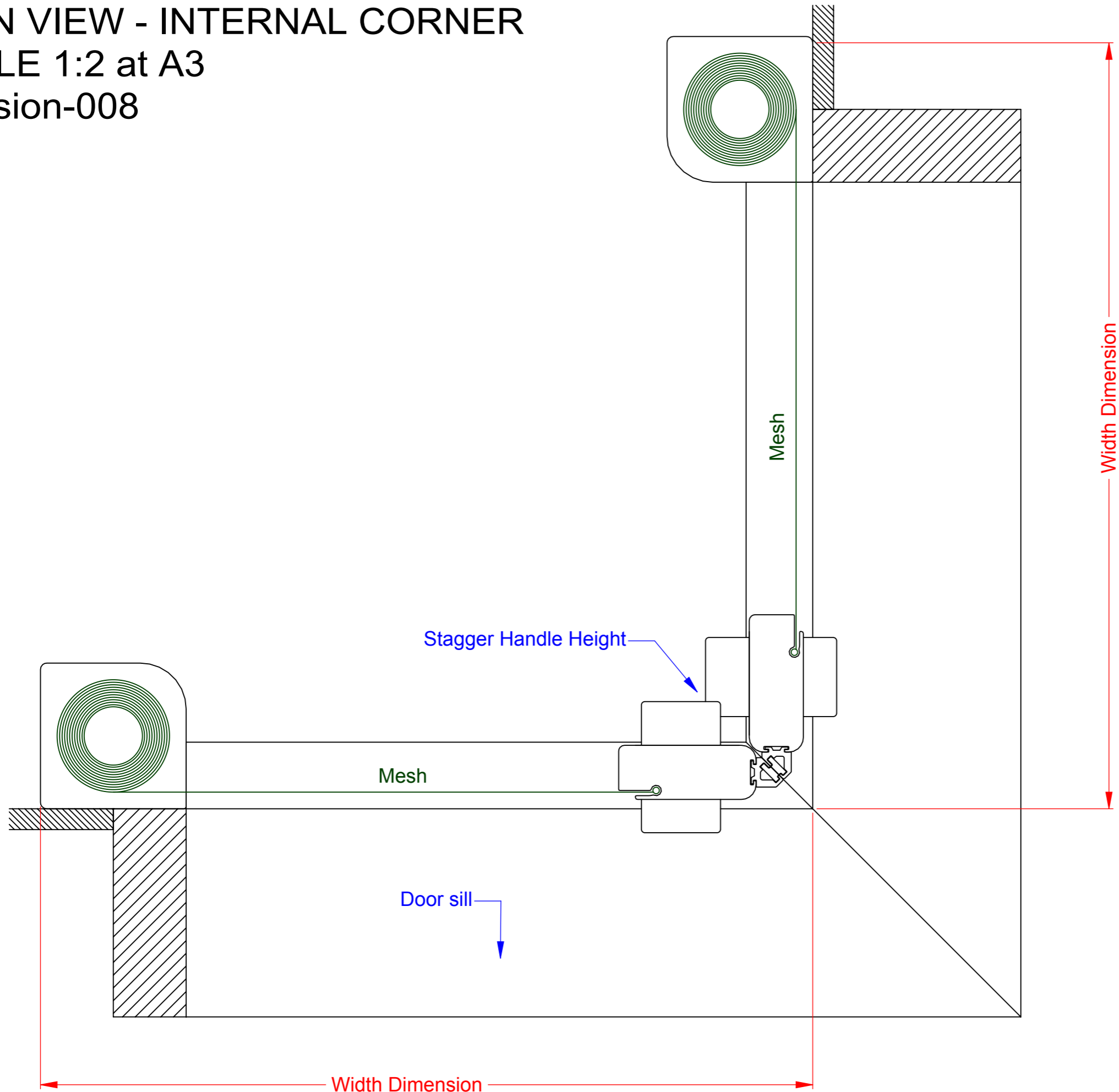
Freedom Screens Zipline
PLAN VIEW - BIFOLD DOORS
SCALE 1:1 at A3
Revision-008



Freedom Screens Zipline
PLAN VIEW - DOUBLE DOORS
SCALE 1:1 at A3
Revision-008



Freedom Screens Zipline
PLAN VIEW - INTERNAL CORNER
SCALE 1:2 at A3
Revision-008



Freedom Screens Zipline
PLAN VIEW - EXTERNAL CORNER
SCALE 1:2 at A3
Revision-008

